

S1C31W65 (rev.1.0)

32-bit Single Chip Microcontroller

- Arm® 32-bit RISC CPU core Cortex®-M0+
- Embedded 56SEG x 4COM / 52SEG x 8COM LCD driver
- Various interfaces such as UART, I2C, and USB that support DMA transfer
- Operating temperature range up to +105°C



■ DESCRIPTIONS

The S1C31W65 is a 32-bit MCU with an Arm® Cortex®-M0+ processor included that features low-power operation. It incorporates an LCD driver capable of driving up to a 416 segments LCD panel, a low-power RTC, and a lot of serial interface circuits. The S1C31W65 is suitable for various kinds of control devices that require LCD display and time measurement.

■ FEATURES

Model		S1C31W65
CPU		
CPU core		Arm® 32-bit RISC CPU core Cortex®-M0+
Other		Serial wire debug ports (SW-DP) and a micro trace buffer (MTB) included
Embedded Flash memory		
Capacity		128K bytes (for both instructions and data)
Erase/program count		1,000 times(min.) * When being programmed by the dedicated flash loader
Other		On-board programming function Flash programming voltage can be generated internally.
Embedded RAMs		
General-purpose RAM		16K bytes (shared with MTB)
Display RAM		112 bytes
Instruction cache		512 bytes
DMA controller (DMAC)		
Number of channels		4 channels
Data transfer path		Memory to memory, memory to peripheral, and peripheral to memory
Transfer mode		Basic, ping-pong, scatter-gather
DMA trigger source		UART3, SPIA, I2C, T16B, SNDA, ADC12A, and software
Clock generator (CLG)		
System clock source		4 sources (IOSC/ OSC1/OSC3/EXOSC)
System clock frequency (operating frequency)		VD1 voltage mode = mode0: 33 MHz(max.) VD1 voltage mode = mode1: 2.16 MHz(max.)
IOSC oscillator circuit (boot clock source)		VD1 voltage mode = mode0: 32/24/16/12/8/2/1 MHz(typ.) software selectable embedded oscillator. VD1 voltage mode = mode1: 2/1 MHz(typ.) software selectable 2 μs(max.) starting time (time from cancelation of SLEEP state to vector table read by the CPU when the system clock is 32MHz)
OSC1 oscillator circuit		32.768 kHz(typ.) crystal oscillator 32 kHz(typ.) embedded oscillator Oscillation stop detection circuit included
OSC3 oscillator circuit		33 MHz(max.) crystal/ceramic oscillator 32/24/16/12/8 MHz(typ.) software selectable
EXOSC clock input		33 MHz(max.) square or sign wave input
Other		Configurable system clock division ratio Configurable system clock used at wake up from SLEEP state Operating clock frequency for the CPU and all peripheral circuit is selectable
I/O port (PPORT)		
Number of general-purpose I/O ports	I/O port	63bit (max.)
	Output port	1bit
	Other	Pins are shared with the peripheral I/O.
Input interrupt	Number of interrupt ports	56bit (max.)
	Interrupt type	Rising edge interrupts and falling edge interrupts can be enabled individually.
Number of ports that support universal port multiplexer (UPMUX)		32bit A peripheral circuit I/O function selected via software can be assigned to each port.

S1C31W65

Model	S1C31W65
Timers	
Watchdog timer (WDT2)	Generates NMI or watchdog time reset Programmable NMI/reset generation cycle
Real-time-clock (RTCA)	128 – 1Hz counter, second/minute/hour/day/day of the week/monthly/year counters Theoretical regulation function for 1-second correction Alarm and stopwatch function
16-bit timer (T16)	8 channels Generates the SPIA master clock, and the ADC12A operating clock/trigger signal.
16-bit PWM timer (T16B)	3 channels Event counter/capture function PWM waveform generation function Number of PWM output or capture input ports: 4 ports/channel
Supply voltage detector (SVD4)	
Number of channels	1 channel
Detection voltage	V _{DD} or an external voltage (2 external voltage input ports are embedded, so the voltage level higher than V _{DD} can be detected.)
Detection level	V _{DD} : 32 levels (1.7 to 5.0 V) / external voltage: 32 levels (1.7 to 5.0 V)
Other	Intermittent operation mode Generates an interrupt or reset according to the detection level evaluation
Serial interfaces	
UART (UART3)	2 channels Baud-rate generator included, IdDA1.0 supported Open drain output, signal polarity, and baud-rate division ratio are configurable. Infrared communication carrier modulation output function
Synchronous serial interface (SPIA)	2 channels 2 to 16-bit variable data length The 16-bit timer(T16) can be used for the baud-rate generator in master mode.
I ² C (I2C)	2 channels Baud-rate generator included
Sound generator (SNDA)	
Buzzer output function	512 Hz to 16 kHz output frequencies One-shot output function
Melody generation function	Pitch: 128 Hz to 16 kHz ≈ C3 to C6 Duration: 7 notes/rests (Half note/rest to thirty-second note/rest) Tempo: 16 tempos (30 to 480) Tie/slur may be specified.
12-bit A/D converter (ADC12A)	
Conversion method	Successive approximation type
Resolution	12 bits
Number of conversion channels	1 channel
Number of analog signal inputs	8 ports/channel (The temperature sensor output is connected to a port.)
Temperature sensor/reference voltage generator (TSRVR)	
Temperature sensor circuit	Sensor output can be measured using ADC12A.
Reference voltage generator	Reference voltage for ADC12A is selectable from 2.0V, 2.5V, V _{DD} , and external input.
LCD driver (LCD8D)	
LCD output	52SEG x 5~8COM (max.), 56SEG x 1~4COM (max.)
LCD contrast	32 levels
LCD drive waveform	2 types (Waveform A, Waveform B) selectable
Other	1/3 or 1/2 bias power supply with voltage booster included, external voltage can be applied.
R/F converter (RFC)	
Conversion method	CR oscillation type 24-bit counters
Number of conversion channels	1 channel (Up to two sensors can be connected.)
Supported sensors	DC bias resistive sensors
Reset	
#RESET pin	Reset when the reset pin is set to low. (can be enabled/disabled using a register.)
Power-on reset	Reset at power on
Brown-out reset	Reset when the power supply voltage drops.
Key entry reset	Reset when the P00 to P01/02/03 keys are pressed simultaneously (can be enabled/disabled using a register.)

S1C31W65

Model		S1C31W65
Watchdog timer reset	Reset when the watchdog timer overflows (can be enabled/disabled using a register.)	
Supply voltage detector reset	Reset when the supply voltage detector detects the set voltage level (can be enabled/disabled using a register.)	
Interrupt		
Non-maskable interrupt	6 systems (Reset, NMI, HardFault, SVCcall, PendSV, SysTick)	
Programmable interrupt	External interrupt: 1 system	
	Internal interrupt: 26 systems	
Power supply voltage		
V _{DD} operating voltage	1.8~5.5 V	
V _{DD} operating voltage for Flash programming	2.2~5.5 V	
V _{DD} operating voltage when LCD driver is used	1.8~5.5 V	
Operating temperature		
Operating temperature range	-40~105°C	
Operating temperature range for Flash programming	-40~85°C	
Current consumption (Typ. Value)		
SLEEP mode ^{*1}	0.3 μA IOSC = OFF, OSC1 = OFF, OSC3=OFF	
	0.8 μA IOSC = OFF, OSC1 = 32.768 kHz (crystal oscillator), OSC3 = OFF, RTCA = ON	
HALT mode ^{*2}	1.5 μA OSC1 = 32.768 kHz (crystal oscillator)	
	4.0 μA OSC1 = 32.768 kHz (crystal oscillator), LCD=ON (No panel load)	
RUN mode	195 μA/MHz VD1 voltage mode = mode0, CPU = IOSC	
	130 μA/MHz VD1 voltage mode = mode1, CPU = IOSC	
出荷形態		
1 *3	TQFP14-100PIN (P-LQFP100-1212-0.40, 12 × 12 mm, t = 1.2 mm, 0.4 mm pitch)	

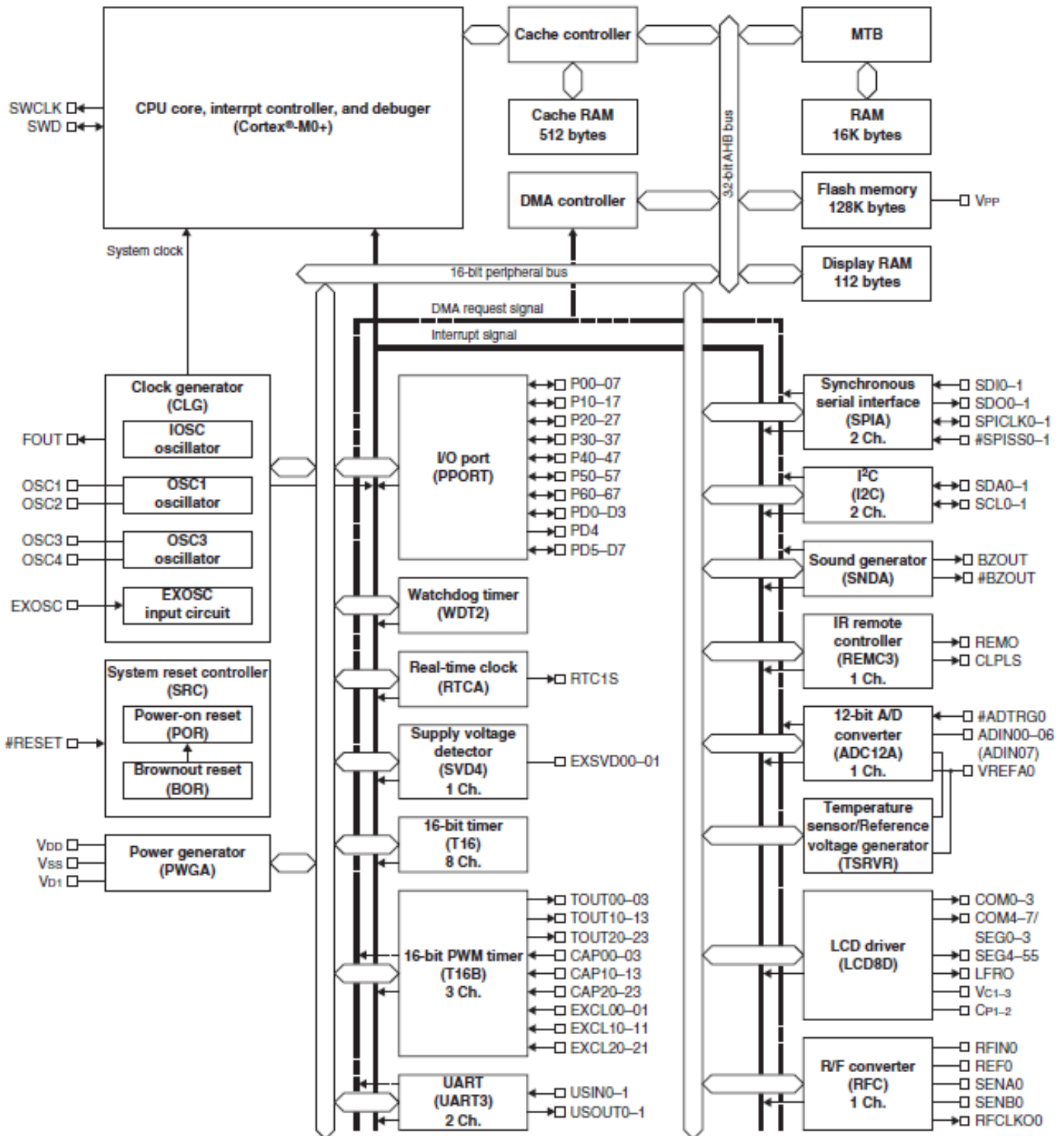
*1 SLEEP mode refers to deep sleep mode in the Cortex®-M0+

*2 HALT mode refers to sleep mode in the Cortex®-M0+

*3 Shown in parentheses are JEITA package names.

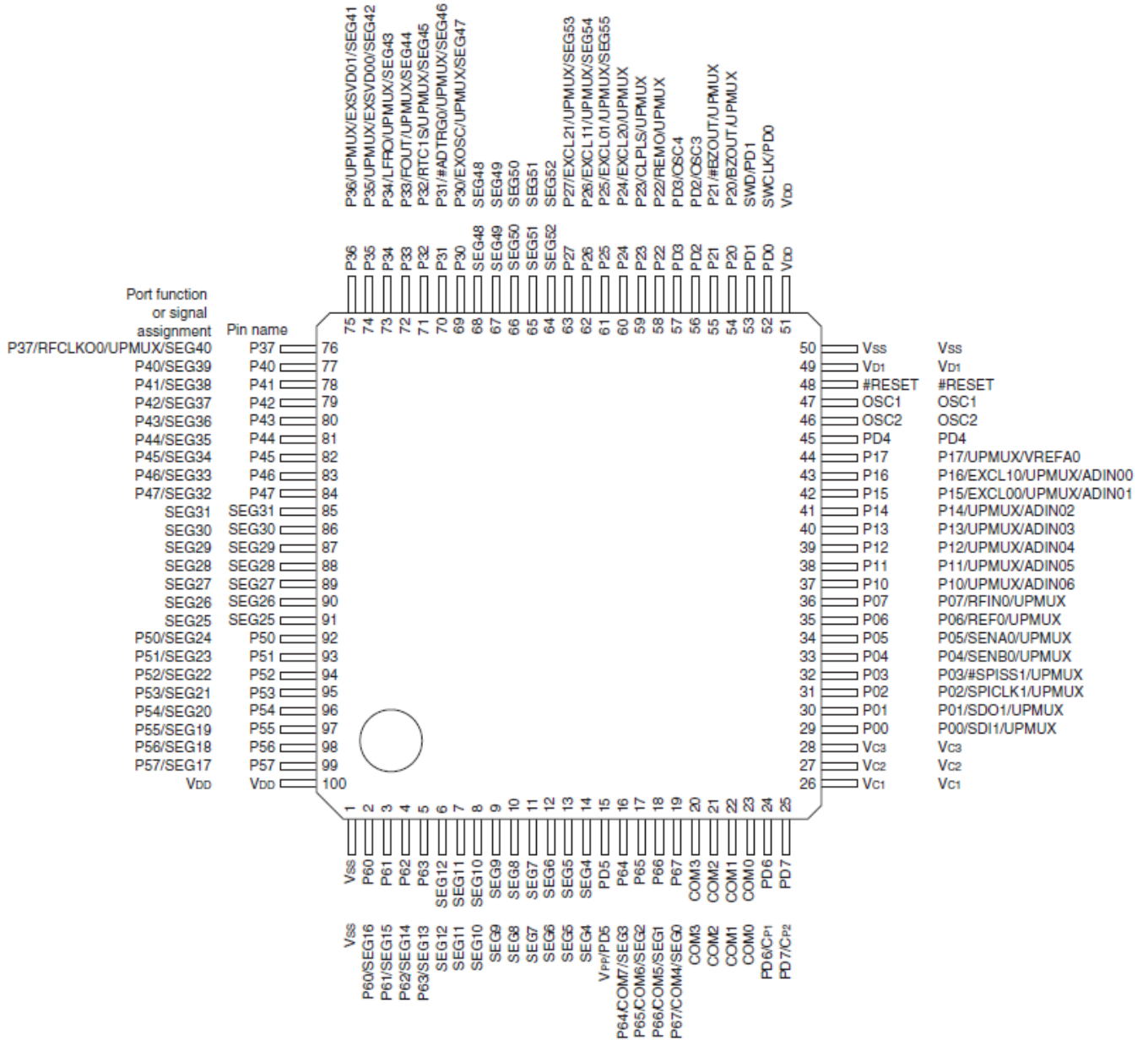
S1C31W65

■ Block Diagram



Pin Configuration Diagram

TQFP14-100PIN



S1C31W65

Pin Descriptions

Symbol meanings

Assigned signal: The signal listed at the top of each pin is assigned in the initial state. The pin function must be switched via software to assign another signal.

I/O:	I	= Input
	O	= Output
	I/O	= Input/output
	P	= Power supply
	A	= Analog signal
	Hi-Z	= High impedance state
Initial state:	I (Pull-up)	= Input with pulled up
	I (Pull-down)	= Input with pulled down
	Hi-Z	= High impedance state
	O (H)	= High level output
	O (L)	= Low level output
Tolerant fail-safe structure:	✓	= Over voltage tolerant fail-safe type I/O cell included.

Pin name	Assigned signal	I/O	Initial state	Tolerant fail-safe structure	Function
VDD	VDD	P	-		Power supply (+)
VSS	VSS	P	-		GND
VD1	VD1	A	-		VD1 regulator output
VC1-3	VC1-3	P	-		LCD panel drive power supply
OSC1	OSC1	A	-		OSC1 oscillator circuit input
OSC2	OSC2	A	-		OSC1 oscillator circuit output
#RESET	#RESET	I	I(Pull-up)		Reset input
P00	P00	I/O	Hi-Z	✓	I/O port
	SDI1	I			Synchronous serial interface Ch.1 data input
	UPMUX	I/O			User-selected I/O(universal port multiplexer)
P01	P01	I/O	Hi-Z	✓	I/O port
	SDO1	O			Synchronous serial interface Ch.1 data output
	UPMUX	I/O			User-selected I/O(universal port multiplexer)
P02	P02	I/O	Hi-Z	✓	I/O port
	SPICK1	I/O			Synchronous serial interface Ch.1 clock input/output
	UPMUX	I/O			User-selected I/O(universal port multiplexer)
P03	P03	I/O	Hi-Z	✓	I/O port
	#SPISS1	I			Synchronous serial interface Ch.1 slave select input
	UPMUX	I/O			User-selected I/O(universal port multiplexer)
P04	P04	I/O	Hi-Z	✓	I/O port
	SENBO	A			R/F converter Ch.0 sensor B oscillator pin
	UPMUX	I/O			User-selected I/O(universal port multiplexer)

S1C31W65

P05	P05	I/O	Hi-Z	✓	I/O port
	SENA0	A			R/F converter Ch.0 sensor A oscillator pin
	UPMUX	I/O			User-selected I/O(universal port multiplexer)
P06	P06	I/O	Hi-Z	✓	I/O port
	REF0	A			R/F converter Ch.0 reference oscillator pin
	UPMUX	I/O			User-selected I/O(universal port multiplexer)
P07	P07	I/O	Hi-Z	-	I/O port
	RFIN0	A			R/F converter Ch.0 oscillation input
	UPMUX	I/O			User-selected I/O(universal port multiplexer)
P10	P10	I/O	Hi-Z	-	I/O port
	UPMUX	I/O			User-selected I/O(universal port multiplexer)
	ADIN06	A			12-bit A/D converter Ch.0 analog signal input 6
P11	P11	I/O	Hi-Z	-	I/O port
	UPMUX	I/O			User-selected I/O(universal port multiplexer)
	ADIN05	A			12-bit A/D converter Ch.0 analog signal input 5
P12	P12	I/O	Hi-Z	-	I/O port
	UPMUX	I			User-selected I/O(universal port multiplexer)
	ADIN04	A			12-bit A/D converter Ch.0 analog signal input 4
P13	P13	I/O	Hi-Z	-	I/O port
	UPMUX	I/O			User-selected I/O(universal port multiplexer)
	ADIN03	A			12-bit A/D converter Ch.0 analog signal input 3
P14	P14	I/O	Hi-Z	-	I/O port
	UPMUX	I/O			User-selected I/O(universal port multiplexer)
	ADIN02	A			12-bit A/D converter Ch.0 analog signal input 2
P15	P15	I/O	Hi-Z	-	I/O port
	EXCL00	I			16-bit PWM timer Ch.0 event counter input 0
	UPMUX	O			User-selected I/O(universal port multiplexer)
	ADIN01	A			12-bit A/D converter Ch.0 analog signal input 1
P16	P16	I/O	Hi-Z	-	I/O port
	EXCL10	I			16-bit PWM timer Ch.1 event counter input 0
	UPMUX	O			User-selected I/O(universal port multiplexer)
	ADIN00	A			12-bit A/D converter Ch.0 analog signal input 0
P17	P17	I/O	Hi-Z	-	I/O port
	UPMUX	I/O			User-selected I/O(universal port multiplexer)
	VREFA0	A			12-bit A/D converter Ch.0 reference voltage input
P20	P20	I/O	Hi-Z	✓	I/O port
	BZOUT	O			Sound generator output
	UPMUX	I/O			User-selected I/O(universal port multiplexer)
P21	P21	I/O	Hi-Z	✓	I/O port
	#BZOUT	O			Sound generator inverted output
	UPMUX	I/O			User-selected I/O(universal port multiplexer)
P22	P22	I/O	Hi-Z	✓	I/O port
	REMO	O			IR remote controller transmit data output
	UPMUX	I/O			User-selected I/O(universal port multiplexer)

S1C31W65

P23	P23	I/O	Hi-Z	✓	I/O port
	CLPS	O			IR remote controller clear pulse output
	UPMUX	I/O			User-selected I/O(universal port multiplexer)
P24	P24	I/O	Hi-Z	✓	I/O port
	EXCL20	I/O			16-bit PWM timer Ch.2 event counter input 0
	UPMUX	I/O			User-selected I/O(universal port multiplexer)
P25	P25	I/O	Hi-Z	✓	I/O port
	EXCL01	I			16-bit PWM timer Ch.0 event counter input 1
	UPMUX	I/O			User-selected I/O(universal port multiplexer)
	SEG55	A			LCD segment output
P26	P26	I/O	Hi-Z	✓	I/O port
	EXCL11	I			16-bit PWM timer Ch.1 event counter input 1
	UPMUX	I/O			User-selected I/O(universal port multiplexer)
	SEG54	A			LCD segment output
P27	P27	I/O	Hi-Z	✓	I/O port
	EXCL21	I			16-bit PWM timer Ch.2 event counter input 1
	UPMUX	I/O			User-selected I/O(universal port multiplexer)
	SEG53	A			LCDs segment output
P30	P30	I/O	Hi-Z	✓	I/O port
	EXOSC	I			Clock generator external clock input
	UPMUX	I/O			User-selected I/O(universal port multiplexer)
	SEG47	A			LCD segment output
P31	P31	I/O	Hi-Z	✓	I/O port
	#ADTRG0	I			12-bit A/D converter Ch.0 trigger input
	UPMUX	I/O			User-selected I/O(universal port multiplexer)
	SEG46	A			LCD segment output
P32	P32	I/O	Hi-Z	✓	I/O port
	RTC1S	O			Real-time clock 1-second cycle pulse output
	UPMUX	I/O			User-selected I/O(universal port multiplexer)
	SEG45	A			LCD segment output
P33	P33	I/O	Hi-Z	✓	I/O port
	FOUT	O			Clock external output
	UPMUX	I/O			User-selected I/O(universal port multiplexer)
	SEG44	A			LCD segment output
P34	P34	I/O	Hi-Z	✓	I/O port
	LFRO	O			LCD frame signal monitor output
	UPMUX	I/O			User-selected I/O(universal port multiplexer)
	SEG43	A			LCD segment output
P35	P35	I/O	Hi-Z	✓	I/O port
	UPMUX	I/O			User-selected I/O(universal port multiplexer)
	EXSVD00	A			Supply voltage detector CH.0 external voltage detection input 0
	SEG42	A			LCD segment output

S1C31W65

P36	P36	I/O	Hi-Z	✓	I/O port
	UPMUX	I/O			User-selected I/O(universal port multiplexer)
	EXSVD01	A			Supply voltage detector CH.0 external voltage detection input 1
	SEG41	A			LCD segment output
P37	P37	I/O	Hi-Z	✓	I/O port
	RFCLK00	O			R/F converter Ch.0 clock monitor output
	UPMUX	I/O			User-selected I/O(universal port multiplexer)
	SEG40	A			LCD segment output
P40	P40	I/O	Hi-Z	✓	I/O port
	SEG39	A			LCD segment output
P41	P41	I/O	Hi-Z	✓	I/O port
	SEG38	A			LCD segment output
P42	P42	I/O	Hi-Z	✓	I/O port
	SEG37	A			LCD segment output
P43	P43	I/O	Hi-Z	✓	I/O port
	SEG36	A			LCD segment output
P44	P44	I/O	Hi-Z	✓	I/O port
	SEG35	A			LCD segment output
P45	P45	I/O	Hi-Z	✓	I/O port
	SEG34	A			LCD segment output
P46	P46	I/O	Hi-Z	✓	I/O port
	SEG33	A			LCD segment output
P47	P47	I/O	Hi-Z	✓	I/O port
	SEG32	A			LCD segment output
P50	P50	I/O	Hi-Z	✓	I/O port
	SEG24	A			LCD segment output
P51	P51	I/O	Hi-Z	✓	I/O port
	SEG23	A			LCD segment output
P52	P52	I/O	Hi-Z	✓	I/O port
	SEG22	A			LCD segment output
P53	P53	I/O	Hi-Z	✓	I/O port
	SEG21	A			LCD segment output
P54	P54	I/O	Hi-Z	✓	I/O port
	SEG20	A			LCD segment output
P55	P55	I/O	Hi-Z	✓	I/O port
	SEG19	A			LCD segment output
P56	P56	I/O	Hi-Z	✓	I/O port
	SEG18	A			LCD segment output
P57	P57	I/O	Hi-Z	✓	I/O port
	SEG17	A			LCD segment output
P60	P60	I/O	Hi-Z	✓	I/O port
	SEG16	A			LCD segment output
P61	P61	I/O	Hi-Z	✓	I/O port
	SEG15	A			LCD segment output

S1C31W65

P62	P62	I/O	Hi-Z	✓	I/O port
	SEG14	A			LCD segment output
P63	P63	I/O	Hi-Z	✓	I/O port
	SEG13	A			LCD segment output
P64	P64	I/O	Hi-Z	✓	I/O port
	COM7	A			LCD common output
	SEG3	A			LCD segment output
P65	P65	I/O	Hi-Z	✓	I/O port
	COM6	A			LCD common output
	SEG2	A			LCD segment output
P66	P66	I/O	Hi-Z	✓	I/O port
	COM5	A			LCD common output
	SEG1	A			LCD segment output
P67	P67	I/O	Hi-Z	✓	I/O port
	COM4	A			LCD common output
	SEG0	A			LCD segment output
PD0	SWCLK	I	I (pull-up)	✓	Serial wire debug clock input
	PD0	I/O			I/O port
PD1	SWD	I/O	I (pull-up)	✓	Serial wire debug data input/output
	PD1	I/O			I/O port
PD2	PD2	I/O	Hi-Z	-	I/O port
	OSC3	A			OSC3 oscillator circuit input
PD3	PD3	I/O	Hi-Z	-	I/O port
	OSC4	A			OSC3 oscillator circuit output
PD4	PD4	I/O	O(L)	-	Output port
PD5	VPP	P	Hi-Z	✓	Power supply for Flash programming
	PD5	I/O			I/O port
PD6	PD6	I/O	Hi-Z	-	I/O port
	CP1	A			LCD power supply booster capacitor connect pins
PD7	PD7	I/O	Hi-Z	-	I/O port
	CP2	A			LCD power supply booster capacitor connect pins
COM0-3	COM0-3	A	Hi-Z	-	LCD common outputs
SEG4-12, 25-31,48-52	SEG4-12, 25-31,48-52	A	Hi-Z	-	LCD segment outputs

Universal port multiplexer (UPMUX)

The universal port multiplexer (UPMUX) allows software to select the peripheral circuit input/output function to be assigned to each pin from those listed below. However, it is not allowed to assign a function to two or more pins simultaneously.

Peripheral circuit	Signal to be assigned	I/O	Channel number <i>n</i>	Function
Synchronous serial Interface (SPIA)	SDIn	I	n=0	SPIA ch.n data input
	SDOn	O		SPIA ch.n data output
	SPICLK _n	I/O		SPIA Ch.n clock input/output
	#SPISS _n	I		SPIA Ch.n slave-select input
I2C (I2C)	SCL _n	I/O	n=0,1	I2C Ch.n clock input/output
	SDA _n	I/O		I2C Ch.n data input/output
UART (UART3)	USIN _n	I	n=0,1	UART Ch,n data input
	USOUT _n	O		UART Ch,n data output
16-bitPWM timer(T16B)	TOUT _{n0} /CAP _{n0}	I/O	n=0,1,2	16-bit PWM timer Ch.n PWM output/capture input 0
	TOUT _{n1} /CAP _{n1}	I/O		16-bit PWM timer Ch.n PWM output/capture input 1
	TOUT _{n2} /CAP _{n2}	I/O		16-bit PWM timer Ch.n PWM output/capture input 2
	TOUT _{n3} /CAP _{n3}	I/O		16-bit PWM timer Ch.n PWM output/capture input 3

S1C31W65

NOTICE:

No part of this material may be reproduced or duplicated in any form or by any means without the written permission of Seiko Epson. Seiko Epson reserves the right to make changes to this material without notice. Seiko Epson does not assume any liability of any kind arising out of any inaccuracies contained in this material or due to its application or use in any product or circuit and, further, there is no representation that this material is applicable to products requiring high level reliability, such as, medical products. Moreover, no license to any intellectual property rights is granted by implication or otherwise, and there is no representation or warranty that anything made in accordance with this material will be free from any patent or copyright infringement of a third party. When exporting the products or technology described in this material, you should comply with the applicable export control laws and regulations and follow the procedures required by such laws and regulations. You are requested not to use, to resell, to export and/or to otherwise dispose of the products (and any technical information furnished, if any) for the development and/or manufacture of weapon of mass destruction or for other military purposes.

All brands or product names mentioned herein are trademarks and/or registered trademarks of their respective companies.
©Seiko Epson Corporation 2020, All rights reserved

Seiko Epson Corporation

Sales & Marketing Division

Device Sales & Marketing Department
29th Floor, JR Shinjuku Miraina Tower, 4-1-6 Shinjuku,
Shinjuku-ku, Tokyo 160-8801, Japan

EPSON semiconductor website

global.epson.com/products_and_drivers/semicon/

Document code: 414063500
Issue Aug 2020